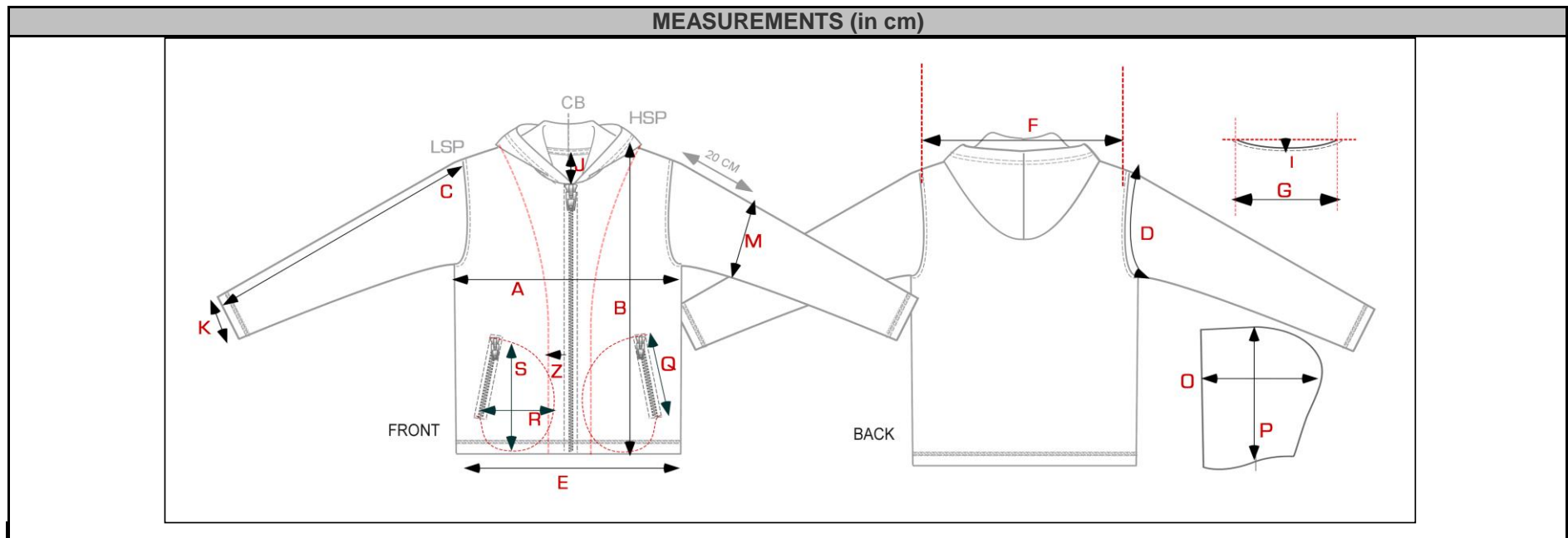


TECHNICAL INFORMATION

--	--	--	--	--	--	--	--	--	--	--	--	--



Size	Adjusted	S/46	M/48	L/50	XL/52	XXL/54	3XL/56	Tolerance +/- cm		Remarks
A	HALF CHEST	50	54	58	62	66	70	0,0		
B	TOTAL LENGTH FROM H. SHOULDERPOINT	70	72	74	76	78	80	0,0		
C	SLEEVELENGTH FROM L. SHOULDERPOINT	65	66	67	68	69	70	0,0		
D	HALF ARMHOLE measured curved	24	25	26	27	28	29	0,0		
E	HALF BOTTOM RELAXED	50	54	58	62	66	70	0,0		
F	FULLSHOULDER	46	48	50	52	54	56	0,0		
G	NECK WIDTH SEAM TO SEAM	21	21,5	22,5	23	23,5	24	0,0		
I	NECKDROP BACK	1,5	1,5	1,5	1,5	1,5	1,5	0,0		
J	DISTANCE BETWEEN NECKSEAM FRONT + BACK	6	6,5	7	7,5	8	8,5	0,0		
K	HALF SLEEVEOPENING	11	11,5	12	12,5	13	13	0,0		
M	HALF UPPERARM (MEASURED 20 CM FROM LSP)	19	20	21	22	23	24	0,0		
O	HALF WIDTH HOOD	26,5	27	27,5	28	28	28	0,0		
S	INSIDE POCKET WIDTH	18	19	19	20	20	21	0,0		
R	INSIDE POCKET HEIGHT	20	21	21	22	22	23	0,0		
P	LENGTH HOOD FROM HSP	35	35	36	37	37	37	0,0		
Z	FACINGPARTS ALONG INSIDE ZIPPER	5	5	5	5	5	5	0,0		
Q	POCKETOPENING	16	16	16	17	17	17	0,0		